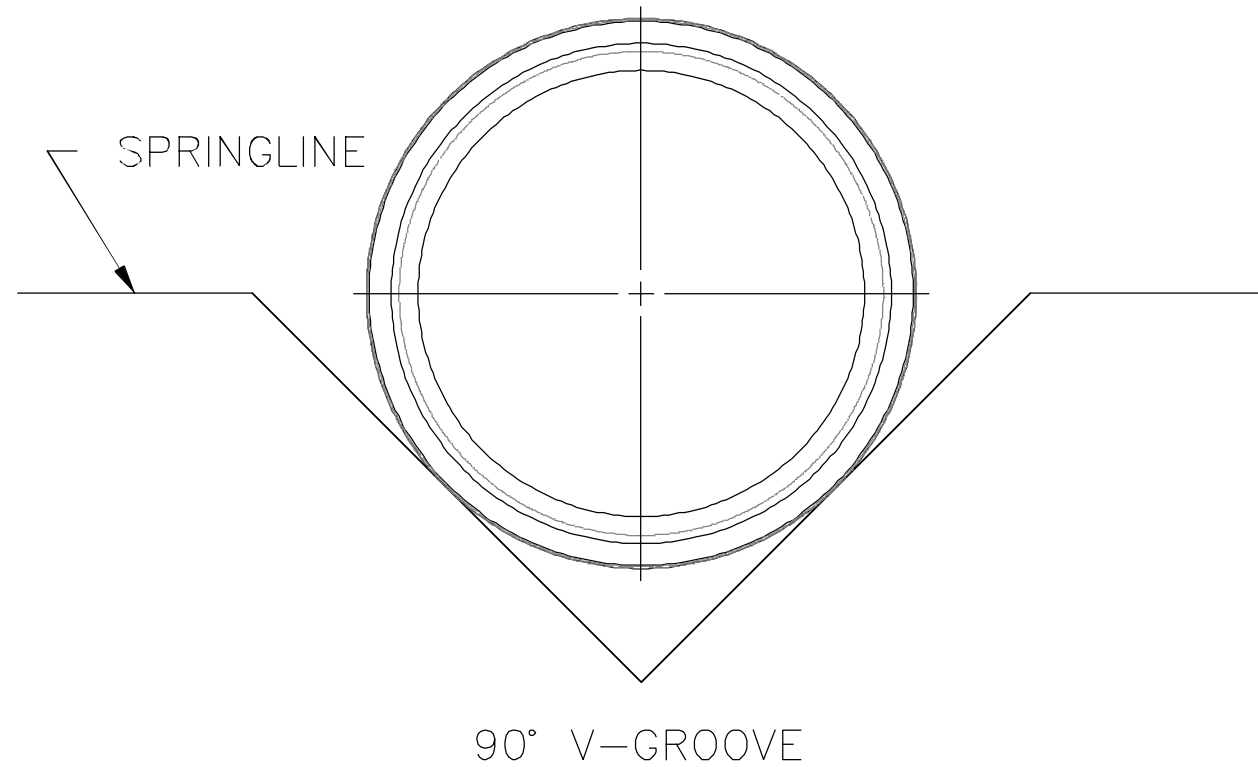


STANDARD TRENCH DIAGRAM



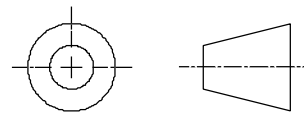
Trench Details				
Pipe Dia. (in)	Inside Diameter (mm)	Outside Diameter (mm)	Stiffness (kPa)	Burial Depth (m)
2	50	65	210	2.0
3	75	90	210	2.1
4	100	115	210 320	2.1 3.0
6	150	175	210 320	2.0 2.9
8	205	250	210 320	2.1 3.0
10	255	305	210 320	2.1 3.0
12	310	375	210 320	2.0 2.9
15	390	460	210 320	1.9 2.8

Assumptions:
 Assume burial Agriculture setting
 Soil Density 1400 kg/m³
 Dry installation, groundwater below springline
 Any deviation from conditions above contact Ideal Pipe for Clarification
 320 kPa Pipe is Challenger 1000

PROPRIETARY
 NO PART OF THIS DOCUMENT MAY BE REPRODUCED, STORED IN A RETRIEVAL SYSTEM OR TRANSMITTED IN ANY FORM WITHOUT THE WRITTEN PERMISSION OF IDEAL PIPE

NOTE
 DRAWING IS NOT DRAWN TO SCALE – INTENTIONALLY DRAWN TO EMPASIZE PROFILE DETAIL

THIRD ANGLE PROJECTION



DRAWN BY:

AQ

DATE:

21 Aug 2013

CHECKED BY:

MK

–:

26 Aug 2013

SCALE:

N/A

MATERIAL:

324420C

TITLE:

AG Pipe Burial Diagram

DRAWING NO:

AG Pipe Install



IDEAL PIPE
 1100 IDEAL DRIVE
 THORNDALE, ONTARIO
 NOM 2P0
 PHONE: (519) 473-2669
 FAX: (519) 641-2524
<http://www.IdealPipe.ca/>

APPLICABLE STANDARDS:

LICO Handbook

STIFFNESS:

210/320kPa

REV:

001